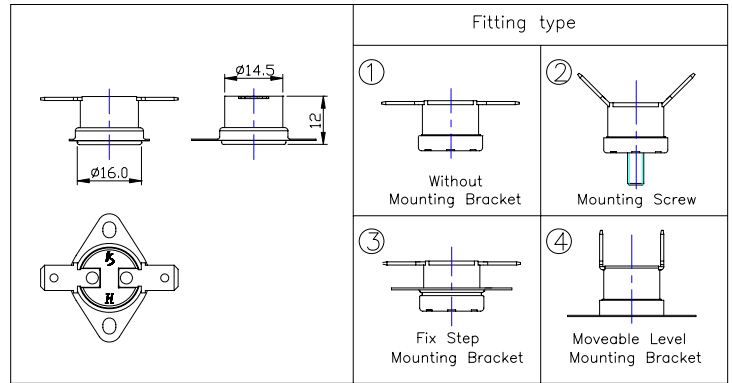




MODEL 型号 KS-123



Application 应用

- ❖ For use in household or industrial appliances, HVAC and office equipment such as: coffee maker, jug kettle, Water heater, dishwasher, gas furnace, clothes dryer, ...etc...
- ❖ 主要应用于家用或工业用器具上, 如:咖啡壶、电热水壶、电热水器、洗碗机、煤气炉、洗衣机...等...

Specifications 规格

❖ Function :	lectrical contacts open/close on temperature rise. When the temp. returns to the specified reset temp., the contacts will return to the original state.
❖ 功能 :	在温度升高后电路会自动断开/闭合.当温度回到设定的值,电路会回到初始状态.
❖ Housing Material :	Ceramic
❖ 外壳材料:	陶瓷
❖ Standard Rating	[KEMA-KEUR] 250V AC 10A
❖ 额定功率标准	
❖ Number of Automatic Cycles for each Automatic Action:	[KEMA-KEUR] 60,000 cycles
❖ 自动循环动作寿命:	
❖ Maximum Temperature :	[KEMA-KEUR] 250°C
❖ 最高工作温度 :	
❖ Temperature Setting Range :	[KEMA-KEUR] 40°C - 250°C
❖ 温度控制设定范围 :	
❖ Tolerance of Operation Range :	± 5°C ~ ± 10°C
❖ 操作温度公差范围 :	
❖ Switching Differential :	10 - 50K depending on mounting and design
❖ 温差:	依据安装及设计定为10 - 50K不等

Standard Terminals 接线端子规格

- ❖ Standard terminals are suitable for 4.8mm and 6.3mm receptacles.
- ❖ 接线端子规格与4.8或6.3规格线插相配

Categorized numbering Index 分类编号指引

KS-123-①②③④-⑤-⑥

- ❖ ① ⇒ W - Without mounting bracket (无安装支架) ⇒ M - Moveable level mounting bracket(可活动的安装支架)
- ⇒ F - Fix step mounting bracket (固定的安装支架) ⇒ S - Screw type mounting bracket(螺丝型安装支架)
- ❖ ② ⇒ S - 4.8mm terminal (4.8规格接线端子) ⇒ B - 6.3mm terminal(6.3规格接线端子)
- ❖ ③ ⇒ F - Flat terminal(平直型接线端子) ⇒ E - Elbow (90°) terminal (90° 折弯型接线端子)
- ⇒ A - Elbow (other angle) terminal(其它角度折弯型接线端子)
- ❖ ④ ⇒ A - Auto reset (自动复位) ⇒ M - Manual reset(手动复位)
- ❖ ⑤ ⇒ Operation Temperature(操作温度)
- ❖ ⑥ ⇒ NC - Normal Close (常态闭合) ⇒ NO - Normal Open (常态断开)

Approval 认证 参展参展

- ❖ KEMA-KEUR Licence No.: 2088280.01
- ❖ VDE/CE Licence No.: 116764



KEENSOUND INDUSTRIES LIMITED 敬诚实业有限公司

Flat E2, 9/F, Hoi Bun Ind Bldg, 6 Wing Yip St, Kwun Tong, Kowloon, Hong Kong

香港九龙官塘荣业街6号海滨工业大厦9楼E2室

(852) 2343 2617 • (852) 2341 0370 • info@keensound.com • www.keensound.com

THERMOSTAT for Home Appliances.....Accurate and Reliable