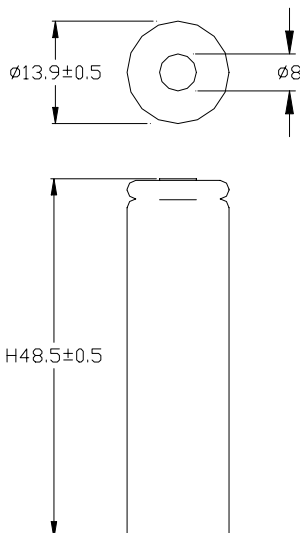


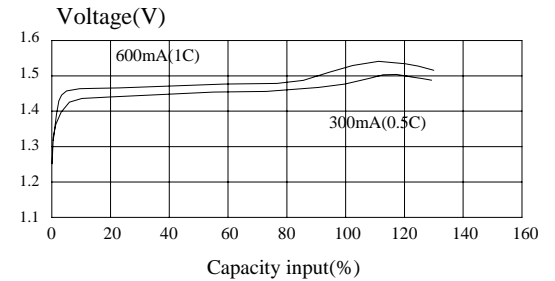
### Specifications

Type	: Rechargeable Nickel Cadmium Cylindrical Cell
Model	: SN-AA60
Nominal Dimension (with Sleeve)	: $\phi = 13.9 \pm 0.5\text{mm}$ : $H = 48.5 \pm 0.5\text{mm}$
Applications	: Recommended discharge current 60 to 1800mA
Nominal Voltage	: 1.2V
Nominal Capacity	: 600mAh when discharge at 120mA to 1.0V at 20
Typical Capacity	: 710mAh
Charging Condition	: 60mA for 16 Hrs at 20
Fast Charge	: 300mA to 600mA(0.5C to 1C) with charge termination control recommended control parameters: - $\Delta V$ : 15-20mV dT/dt: 0.8 /min(0.5C to 0.9C) : 0.8-1 /min(1C) TCO : 45-50 Time: 120% nominal input
Service Life	: >800 cycles(IEC -285)
Continuous Overcharge	: 30mA maximum permissible current No conspicuous deformation and/or leakage
Weight	: 19g
Internal Resistance	: Average 21m upon fully charged range 17-25m at 1000Hz
Max. Charging Voltage	: 1.5V at 60mA charging
Ambient Temperature Range	: Standard Charging : 0 to 45 Fast Charging : 10 to 45 Discharging : -20 to 65 Storage : -20 to 35

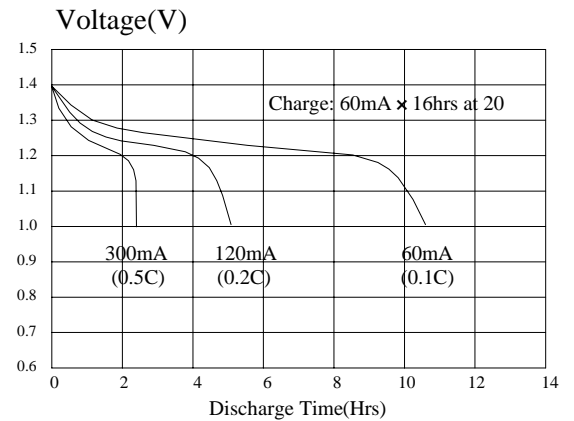


### Characteristics

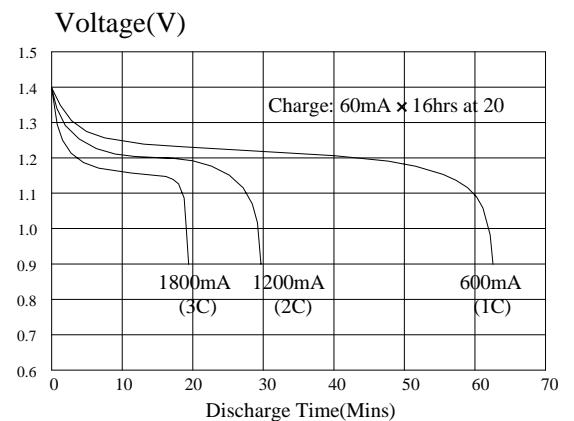
#### Fast Charge (Charge control required)



#### Low Rate Discharge



#### High Rate Discharge



The above information is generally descriptive only and is not intended as guarantee or warranty cell and battery specifications are subject to change without notice. All descriptions or warranties are contained solely in specification sheets accompanying formal offers.

Please consult SANIK for conditions of application outside those described in this document.