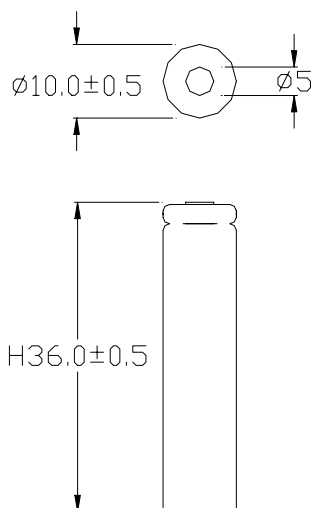


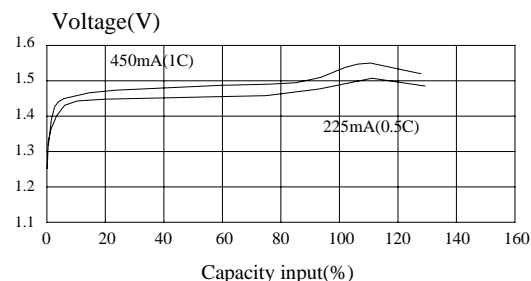
Specifications

Type	: Rechargeable Nickel Metal Hydride Cylindrical Cell
Model	: SN-4/5AAA45H
Nominal Dimension (with Sleeve)	: $\phi = 10.0 \pm 0.5\text{mm}$: $H = 36.0 \pm 0.5\text{mm}$
Applications	: Recommended discharge current 45 to 1350mA
Nominal Voltage	: 1.2V
Nominal Capacity	: 450mAh when discharge at 90mA to 1.0V at 20
Typical Capacity	: 470mAh
Charging Condition	: 45mA for 16 Hrs at 20
Fast Charge	: 225mA to 450mA(0.5C to 1C) with charge termination control recommended control parameters: - ΔV : 5-10mV dT/dt: 0.8 /min(0.5C to 0.9C) : 0.8-1 /min(1C) TCO : 45-50 Time: 120% nominal input
Service Life	: >810 cycles(IEC -61436)
Continuous Overcharge	: 22.5mA maximum permissible current No conspicuous deformation and/or leakage
Weight	: 10g
Internal Resistance	: Average 25m Ω upon fully charged range 23-28m Ω at 1000Hz
Max. Charging Voltage	: 1.5V at 45mA charging
Ambient Temperature Range	: Standard Charging : 0 to 40 Fast Charging : 10 to 40 Discharging : -20 to 65 Storage : -20 to 35

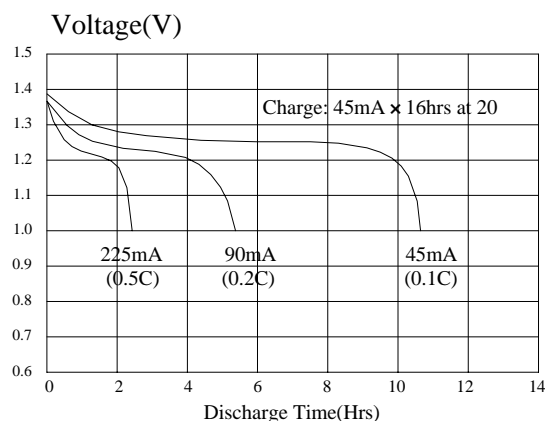


Characteristics

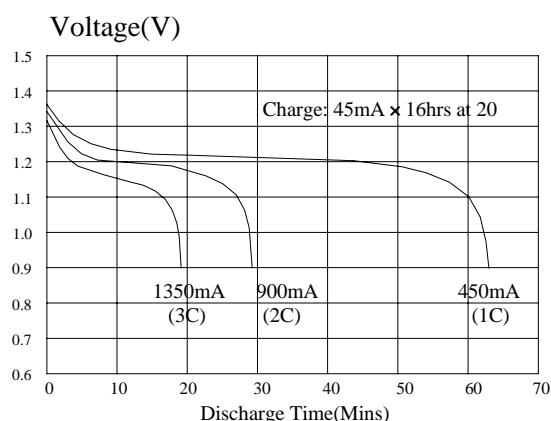
Fast Charge (Charge control required)



Low Rate Discharge



High Rate Discharge



The above information is generally descriptive only and is not intended as guarantee or warranty cell and battery specifications are subject to change without notice. All descriptions or warranties are contained solely in specification sheets accompanying formal offers.

Please consult SANIK for conditions of application outside those described in this document.