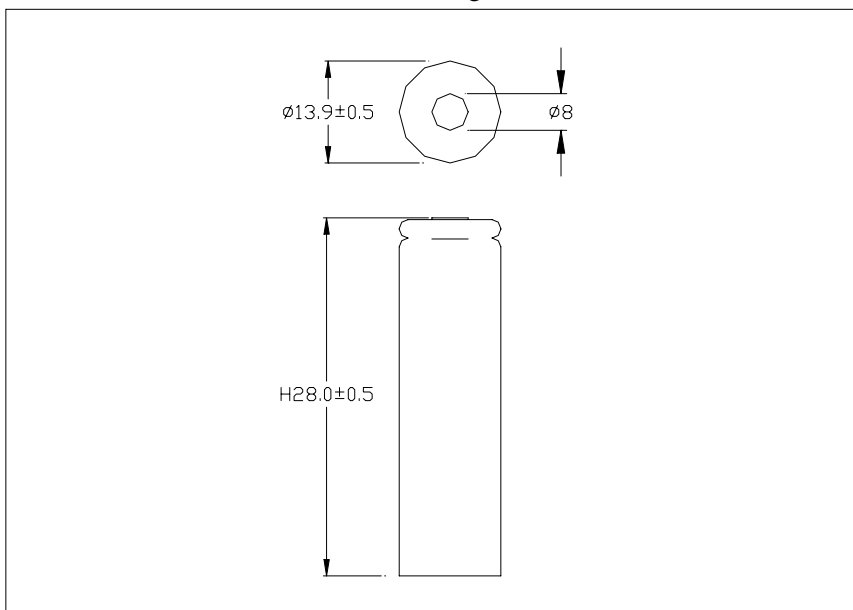


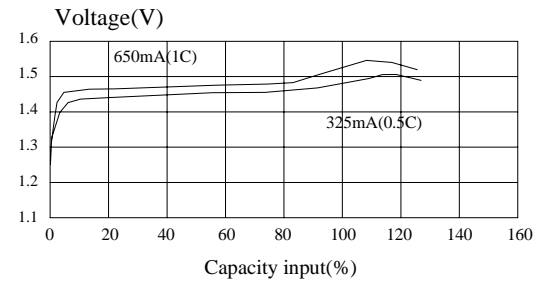
Specifications

Type	: Rechargeable Nickel Metal Hydride Cylindrical Cell
Model	: SN-2/3AA65H
Nominal Dimension (with Sleeve)	: $\phi=13.9 \pm 0.5\text{mm}$: $H=28.0 \pm 0.5\text{mm}$
Applications	: Recommended discharge current 65 to 1950mA
Nominal Voltage	: 1.2V
Nominal Capacity	: 650mAh when discharge at 130mA to 1.0V/cell at 20
Typical Capacity	: 685mAh
Charging Condition	: 65mA for 16 Hrs at 20
Fast Charge	: 325mA to 650mA(0.5C to 1C) with charge termination control recommended control parameters: - ΔV : 5-10mV dT/dt: 0.8 /min(0.5C to 0.9C) : 0.8-1 /min(1C) TCO : 45-50 Time: 120% nominal input
Service Life	: >800 cycles(IEC -285)
Continuous Overcharge	: 32.5mA maximum permissible current No conspicuous deformation and/or leakage
Weight	: 14.0g
Internal Resistance	: Average 32m upon fully charged range 28-35m at 1000Hz
Max. Charging Voltage	: 1.5V at 65mA charging
Ambient Temperature Range	: Standard Charging : 0 to 40 Fast Charging : 10 to 40 Discharging : -20 to 65 Storage : -20 to 35

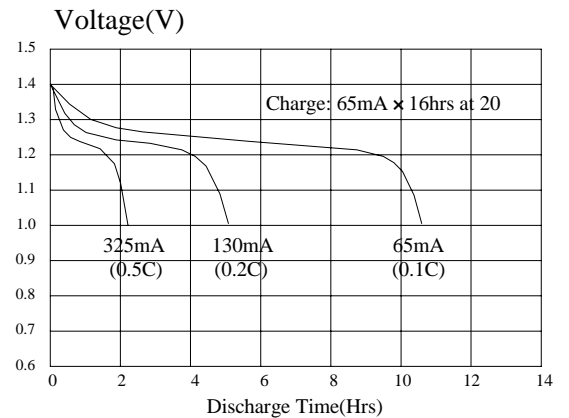


Characteristics

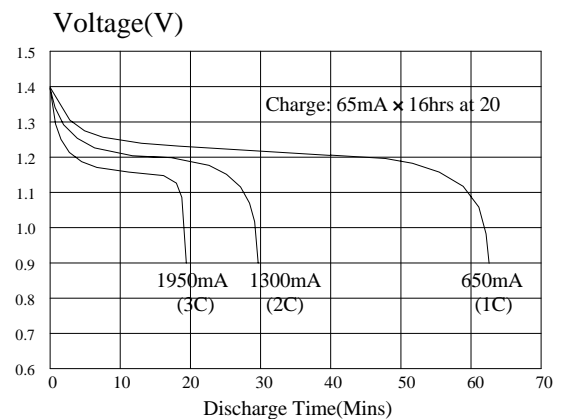
Fast Charge (Charge control required)



Low Rate Discharge



High Rate Discharge



The above information is generally descriptive only and is not intended as guarantee or warranty cell and battery specifications are subject to change without notice. All descriptions or warranties are contained solely in specification sheets accompanying formal offers. Please consult SANIK for conditions of application outside those described in this document.