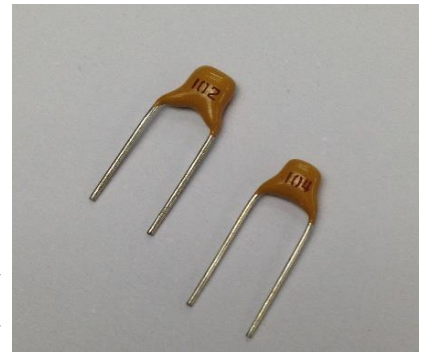


RADIAL LEADS MONOLITHIC CAPACITOR

HOW TO ORDER

CT4 0805 Y 104 M 500 P
 A B C D E F G



A :

PRODUCT TYPE	
CODE	TYPE
CC4	CLASS I DIELECTRIC RADIAL LEADS
CT4	CLASS II DIELECTRIC RADIAL LEADS

B:

UNIT : INCHES

CMOS CHIP SIZE (L*W)	
CODE	CHIP SIZE
0805	0.06*0.03 / 0.08*0.05
1206	0.12*0.06
1210	0.12*0.10
1812	0.18*0.12
2225	0.22*0.25
3035	0.30*0.35

C :

TEMPERATURE CHARACTERISTICS			
N	COG (NPO)	0±30ppm/°C	(-55~+125°C)
B	X7R	±15%	(-55~+125°C)
Y	Y5V	+30% -80%	(-25~+85°C)
E	Z5U	+22% -56%	(+10~+85°C)

D :

CAPACITANCE
FIRST TWO DIGITS ARE SIGNIFICANT THIRD DIGIT IS NUMBER OF ZEROS.
FOR EXAMPLE: 104 = 100000pF 5R6 = 5.6pF

E :

TOLERANCE	
B	±0.10pF
C	±0.25pF
D	±0.50pF
F	±1.0%
G	±2.0%
J	±5.0%
K	±10.0%
M	±20%
N	±30%
S	+50~-20%
Z	+80~-20%
P	+100~-0%

B,C,D FOR C < 10PF
 NPO : B,C,D,F,G,J,M
 X7R : K,M,S,Z
 Y5V/Z5U : M,S,Z,P

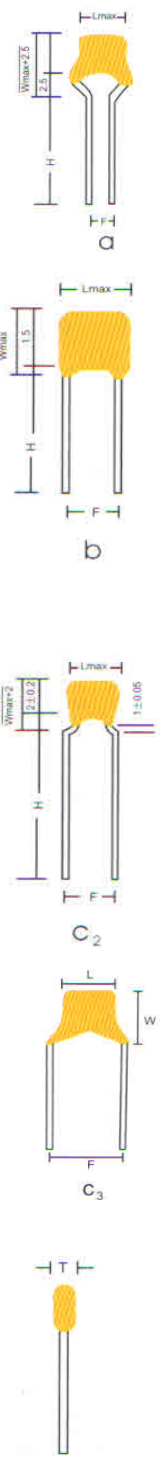
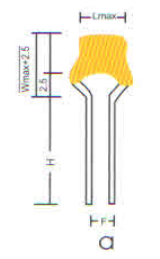
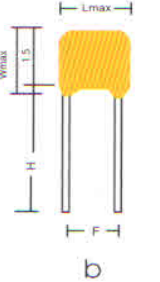
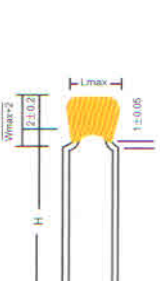
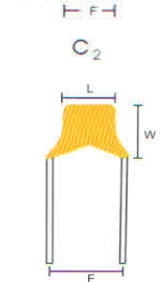
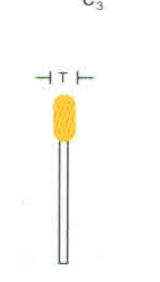
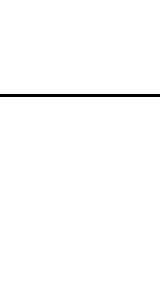
F:

RATED VOLTAGE
THE CODE MEANING IS SAME AS CAPACITANCE
FOR EXAMPLE: 250 = 25V 500 = 50V 101 = 100V

G:

Packaging Style		
Tape &	P	AMMO
Reel	T	REEL
Bulk	F1	2.54 mm
	F3	5.08 mm
	F5	3.50 mm

SIZE CODE, CAPACITANCE AND VOLTAGE

	Size code	shape	Dimensions (mm)				Voltage	Capacitance (pf)		
			F(± 0.5)	L max	W max	T max		NPO	X7R	Y5V
	0805	b	2.54				25V	0R5~103	101~105	103~475
		C2	5.08	4.2	3.8	3.0	50V	0R5~103	101~474	103~105
		C3	5.08				100V	0R5~103	101~104	103~104
	1206	a	2.54				25V	0R5~104	101~225	103~106
		b	3.50	5.0	4.5	3.5	50V	0R5~473	101~225	103~106
		C2	5.08				100V	0R5~473	101~105	103~155
	1210	a	2.54				25V	0R5~104	101~106	103~106
		b	3.50	5.0	4.5	3.5	50V	0R5~473	101~473	103~106
		C2	5.08				100V	0R5~473	101~105	103~155
	1812	b	5.08	7.0	6.0	4.0	25V	0R5~104	101~106	103~106
							50V	0R5~104	101~106	103~106
							100V	0R5~473	101~105	103~155
	2225	b	5.50	10.0	9.0	4.5	25V	0R5~104	101~106	103~106
							50V	0R5~104	101~106	103~106
							100V	0R5~473	101~105	103~155
	3035	b	7.50	12.0	10.0	4.5	25V	0R5~104	101~106	103~106
							50V	0R5~104	101~106	103~106
							100V	0R5~473	101~105	103~155

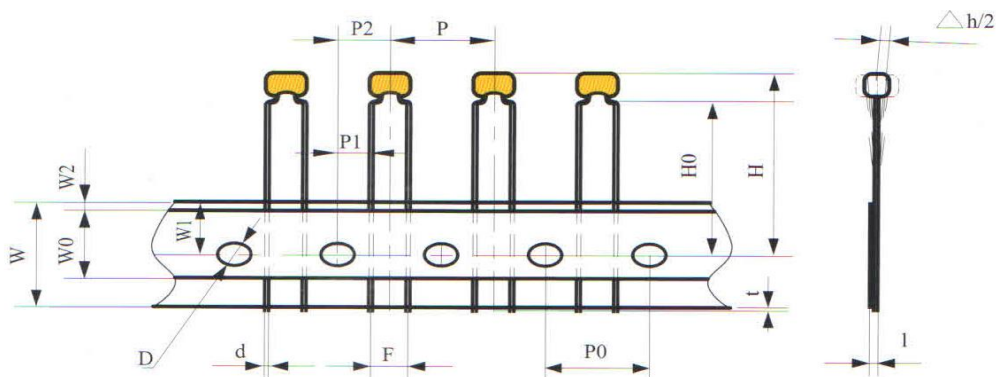
Notice 1 : Normal length of leads is 10.0mm (± 1.0), & it can be adjusted between 3.0~25 mm
 Notice 2 : The diameter of lead is $\Phi 0.5 \pm 0.05$ mm

PACKAGING STYLE

BULK

- Leads in normal length : 1000 pcs / bag
- Long leads : 500 pcs / bag

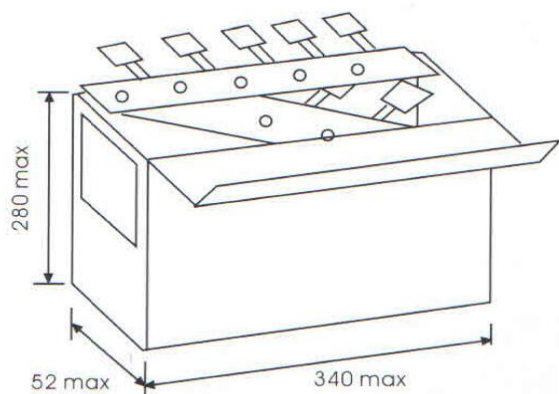
TAPE & REEL



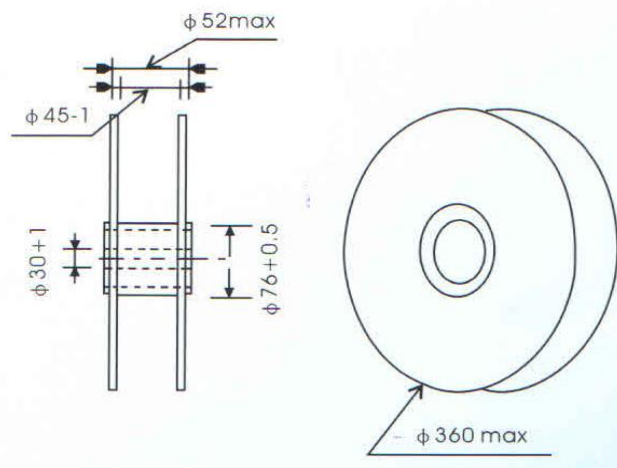
- Note: P1 = 3.85mm for F = 5.0mm P1 = 5.1mm for F = 2.5mm

Code	p	P0	P1	P2	d	Δh	W	W0	W1	W2	H	H0	l	D	t
Dim	12.7	12.7	3.85 5.1	6.35	0.5	0	18.5	12	9	1.5	32.25	15-20	1.0	4.0	0.7
Tol	± 0.2	± 0.2	0.7	± 1.3	± 0.1	± 2	± 1	± 1	± 0.5	± 1.5	Max	± 0.5	Max	± 0.2	Max

AMMO PACKAGING



REEL PACKAGING



**Packaging according to the customer's requirement