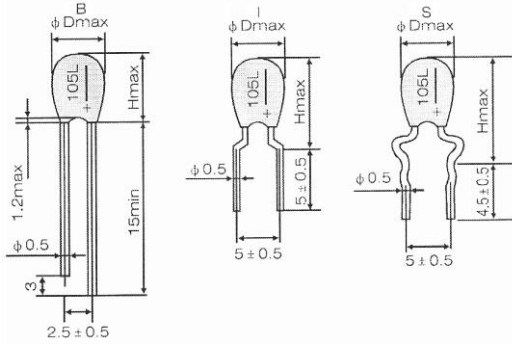
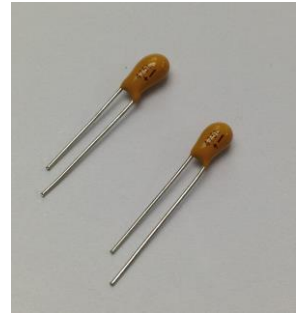


# SERIES CA42 SOLID TANTALUM ELECTROLYTIC CAPACITORS

- Resin-coated, High performance to standard for general
- For color television, computer, military & consumer Instrument and other industrial electronic products

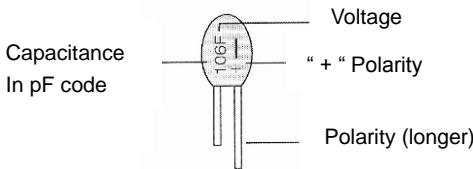
## Specification

Operation Temperature : -55°C ~ +125°C  
 Rated Voltage : 4V ~ 50V  
 Capacitor Range : 0.1 ~ 470 μF  
 Capacitor Tolerance : ±10% (K) , ±20% (M)



## Dimensions

Case size	D max	Form B	Form I	Form S
		H max	H max	H max
A	3.5	6.0	9.3	10.0
B	3.8	6.5	9.8	10.5
C	4.4	7.5	10.5	11.5
D	4.8	8.5	11.5	12.5
E	5.2	9.5	12.5	13.5
F	6.0	10.5	13.5	14.5



## Standard Size, Rated Voltage, Surge Voltage at 85°C and Derating Voltage at 125°C

Rated Voltage (V)	4	6.3	10	16	25	35	50	
	0G	0J	1A	1C	1E	1V	1H	
85°C Surge Voltage (V)	5.2	8	13	20	32	46	65	
125°C Derating Voltage (V)	2.5	4	6.3	10	16	22	32	
Cap(μF)	Code							
0.1	104					A	A	
0.15	154					A	A	
0.22	224					A	A	
0.33	334					A	A	
0.47	474				A	A	A	
0.68	684			A	A	A	B	
1	105			A	A	A	B	
1.5	155			A	A	A, B	C	
2.2	225			A	A	B	C	
3.3	335		A	A	B	C	D	
4.7	475	A	A	B	B	C	E	
6.8	685	A	A	B	C	D	F	
10	106	A	A	A	C	C	D	F
15	156	A, B	B	B	C	D	D, E	G
22	226	B	B	C	D	E	E, F	
33	336	C	C	C	E	E	F	
47	476	C	C	D	F	F	G	
68	686	D	D	E	F	G	G	
100	107	D	E	D	G			
150	157	E	F	D	G			
220	227	F	F	G				
330	337	F	G	G				
470	477	G	G					