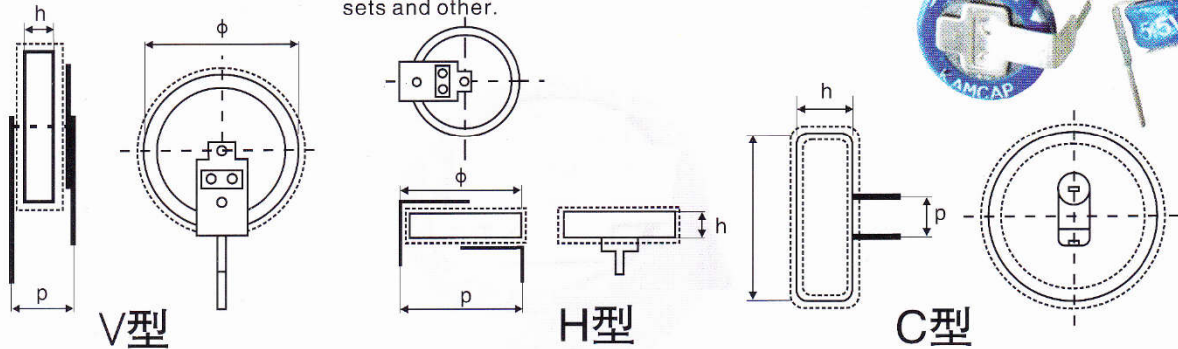


SE D

FEATURES

- Small-sized, large capacity, excellent voltage holding.
- Ideal for backing up of CMOS's, microcomputers, RAM's and the like used in VCR's, turners, TV sets, telephone sets and other.



SPECIFICATIONS

Operating temperature	-25~+70°C
Rate voltage	5.5V
Surge Voltage	6.3V
Max Capacitance tolerance	-20%~80%
Temperature Characteristics	+70°C $\Delta C/C$ $\leq 30\%$, ESR $\leq 100\%$ of the specified value at 25°C -25°C $\Delta C/C$ $\leq 50\%$, ESR $\leq 400\%$ of the specified value at 25°C
High temperature load	After 1000h, +70°C ± 2 , nominal voltage, $\Delta C/C$ $\leq 30\%$ of the initial measured value, ESR $\leq 400\%$ of the initial specified value
High temperature without load	After 1000h, +70°C ± 2 , nominal voltage, $\Delta C/C$ $\leq 30\%$ of the initial measured value, ESR $\leq 400\%$ of the initial specified value
Humidity Resistance	After +40°C ± 2 , 90~95%RH, 240h, $\Delta C/C$ $\leq 30\%$ of the initial measured value, IL $\leq 200\%$ of the initial specified value, ESR ≤ 4 time of the initial specified value

Part Number	Rated Capacitance	Operating Voltage	ESR 1kHz (Ω)	Size ($\Phi \times h$, mm) ± 0.5 mm	P (mm) ± 0.05 mm
SE-5R5-D104VYH	0.1F	5.5V	75	11.5 \times 4.5	12
SE-5R5-D104VYV	0.1F	5.5V	75	11.5 \times 4.5	4.5
SE-5R5-D224VYH	0.22F	5.5V	75	11.5 \times 4.5	12
SE-5R5-D224VYV	0.22F	5.5V	75	11.5 \times 4.5	4.5
SE-5R5-D474VY	0.47F	5.5V	30	20.5 \times 7.5	7
SE-5R5-D474VYH	0.47F	5.5V	30	19.5 \times 4.5	20
SE-5R5-D474VYV	0.47F	5.5V	30	19.5 \times 4.5	5
SE-5R5-D684VY	0.68F	5.5V	30	20.5 \times 7.5	7
SE-5R5-D105VY	1.0F	5.5V	30	20.5 \times 7.5	7
SE-5R5-D105VH	1.0F	5.5V	30	19.5 \times 4.5	20
SE-5R5-D105VV	1.0F	5.5V	30	19.5 \times 4.5	5
SE-5R5-D155VY	1.5F	5.5V	25	20.5 \times 7.5	7
SE-5R5-D105VYH	1.0F	5.5V	30	19.5 \times 4.5	20
SE-5R5-D105VV	1.0F	5.5V	30	19.5 \times 4.5	5



Characteristic curve

